



5-7t

G SERIES INTERNAL COMBUSTION COUNTERBALANCED FORKLIFT TRUCK



- > Fashion streamline appearance
- > Dual suspension damping structure reduces whole truck vibration and driver's fatigue;
- > Noise around ear and truck sound power level are reduced by full sealed cab and optimal design of the parts around engine.
- > With wholly hydraulic drive cooling system, aluminum radiator and special layout, the water and transmission oil temperature are reduced greatly.
- > Man-machine engineering design improves operation comfort; wide view lifting system improves vision.
- > Standard configuration of electric-hydraulic reversing system has light and easy operation; updated new intelligent gear shifting system avoiding start with second gear improves transmission box's reliability.
- > Wider internal space, more reasonable parts layout and 80°hood opening angle make maintenance easy.
- > The emission of the completed truck meets EURO III (B) and Tier IV (I) emission standards. DPF technology is applied in exhaust treatment.



G SERIES INTERNAL COMBUSTION COUNTERBALANCED FORKLIFT TRUCK **5-7t**

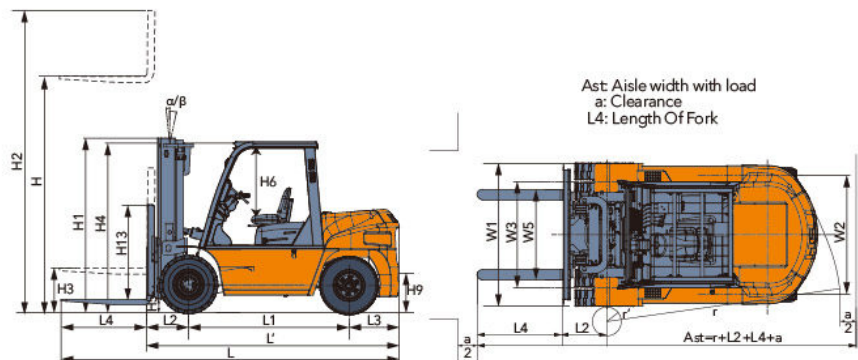
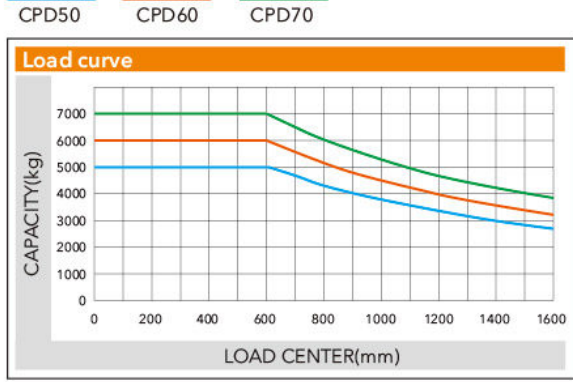
Characteristics					
1.01	Manufacturer			HELI	
1.02	Model		CPCD50-P3G	CPCD60-P3G	CPCD70-P3G
1.03	Load Capacity	kg	5000	6000	7000
1.04	Load Center	mm	600		
1.05	Power Type		Diesel		
1.06	Driving style		Seated		

Tire					
2.01	Front Tire		8.25-15-14PR		

Dimension Parameter					
3.01	Lifting Height(standard)	H	mm	3000	
3.02	Mast Tilt(fwd/bwd)	α/β	deg	6/12	
3.03	Min.Turning Radius	r	mm	3240	3300 3370
3.04	Overall Length(with Forks)	L	mm	4710	4790 4840
3.05	Overall Width	W1	mm	2045	
3.06	Overall Height(mast without activity)	H4	mm	2450	
3.07	Wheel Base	L1	mm	2300	2300 2300
3.08	Tread(fwd/bwd)	W3/W2	mm	1520/1700	1520/1700 1520/1700
3.09	Overhang(fwd/bwd)	L2/L3	mm	590/600	595/675 600/720
3.10	Min.Under clearance	H5	mm	200	
3.11	Lateral Fork Adjustment(Outside of Forks)	W5	mm	300-1845	
3.12	Fork Length	L4	mm	1220	
3.13	Fork Width/Thickness	W/T	mm	55/150	60/150 65/150

Performance Parameter					
4.01	Lifting Speed(Unloaded/Loaded)	mm/s	560/500	550/490	550/480
4.02	Lowng Speed(Loaded)	mm/s	WITHOUT LOAD \geq 300 WITH FULL LOAD \leq 600		
4.03	Traveling Speed(Loaded/Unloaded)	km/h	25/28	25/28	25/28
4.04	Max.Gradeability	%	34/19	31/19	29/19

Engine and Gearbox					
5.01	Engine Manufacturer/Model		Perkins 1204E-E44TA (Euro IIIB, EPA Tier 4i)		
5.02	Cyl. Number		4		
5.03	Displacement	L	4.4		
5.04	Rated Power/Rated Speed	Kw/rpm	82/2200		
5.05	Max. Torque/Rated Speed	Nm/rpm	450/1400		
5.06	Gearbox		Intelligent gear shifting		



ANHUI HELI CO., LTD.
 ADD: NO.668 Fangxing Street,Economical Development Zone,Hefei,P.R.China
 TEL : (86 551) 63639068,63639258,63639358,63662105
 FAX : (86 551) 63639966
 WEBSITE : <http://www.helichina.net>
 Email : heli@helichina.net

* Details of specifications and equipment are based on information available at time of printing and may change without notice.
 AUTHORIZED DEALER